

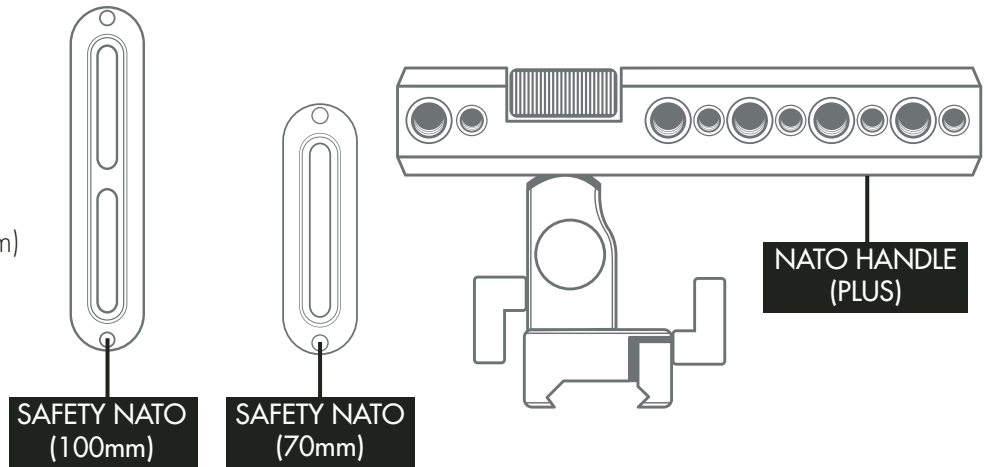
NATO HANDLE KIT (PLUS)

Included:

(2) 1/4-20 set screw

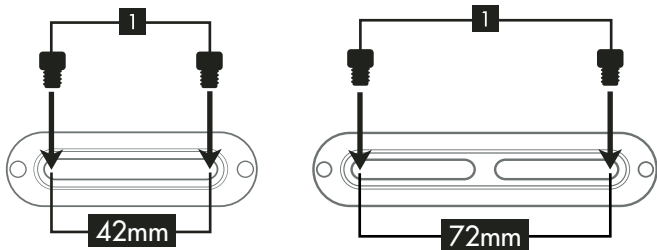
(2) 1/4-20x3/8

(1) Safety NATO Rail (70mm or 100mm)

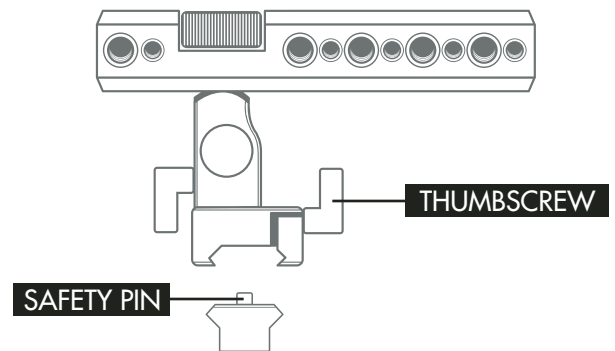


CAMERA ATTACHMENT

1. Select **SAFETY NATO (70mm or 100mm)**, locate two **1/4-20 HOLES** spaced up to 42mm or 72mm respectively on **CAMERA** or **CHEESEPLATE**, select **1/4-20x3/8 SOCKET CAPS**, tighten screws through **SAFETY NATO** into threaded holes.

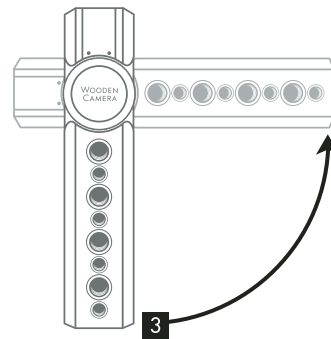
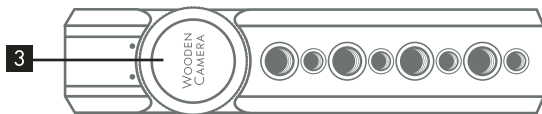


2. Select **NATO HANDLE (PLUS)** and depress safety pin slide onto **SAFETY NATO**. Tighten **THUMBSCREW** to lock in place.



ROTATING HANDLE

3. Turn **HANDLE** by loosening **TOP KNOB**, rotate **HANDLE** to desired position, re-tighten to secure.



ROD ATTACHMENT

4. To attach **15mm** or **19mm RODS** locate **15mm & 19mm OPENINGS** as shown below, insert **ROD**, locate **1/4-20 HOLES**, select **SET SCREW** and tighten to secure **RODS** to **NATO HANDLE (PLUS)**.

