





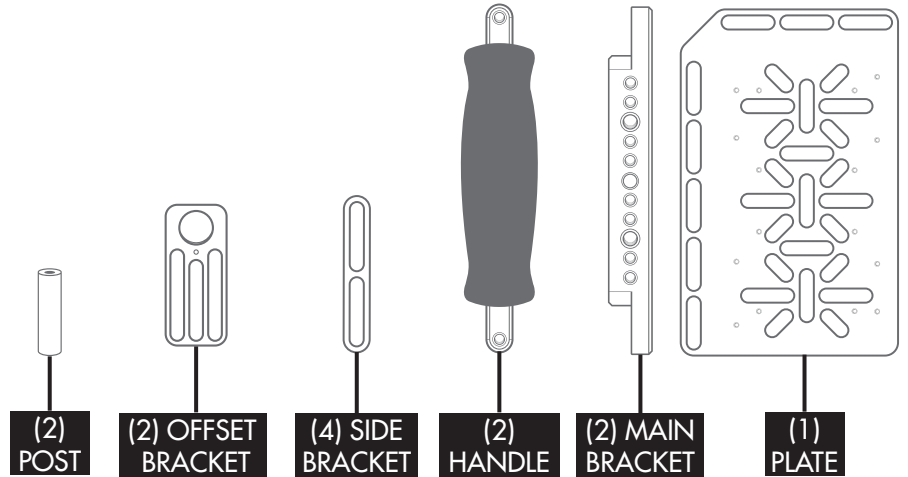


DIRECTOR'S MONITOR CAGE

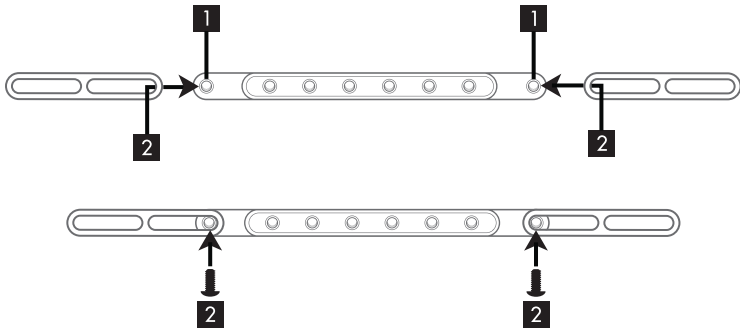
Included:

- (12) 1/4-20 x 1/2" button head screws 
- (6) 1/4-20 x 3/8" button head screws 
- (2) 1/4-20 x 2" socket cap screws 
- (4) M3 x 8mm philips screws  (for V-Mount plate)
- (4) M3 x 12mm philips screws  (for Gold Mount plate)
- (1) M2.5 x 4mm socket cap screw  (for Odyssey 7Q location pin)

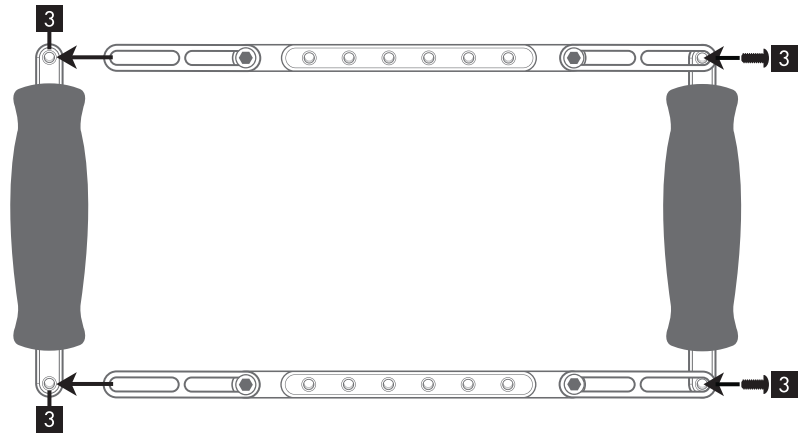


INSTALLATION

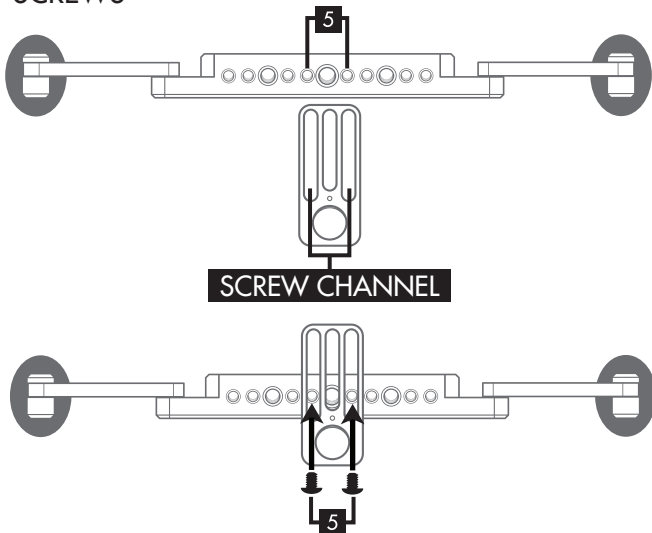
1. Select the two **MAIN BRACKETS** and locate the correct **1/4-20 HOLES**
2. Select the four **SIDE BRACKETS**, align to **1/4-20 HOLES** as shown below, select **1/4-20x1/2" SCREWS**, tighten to **MAIN BRACKET** with allen wrench



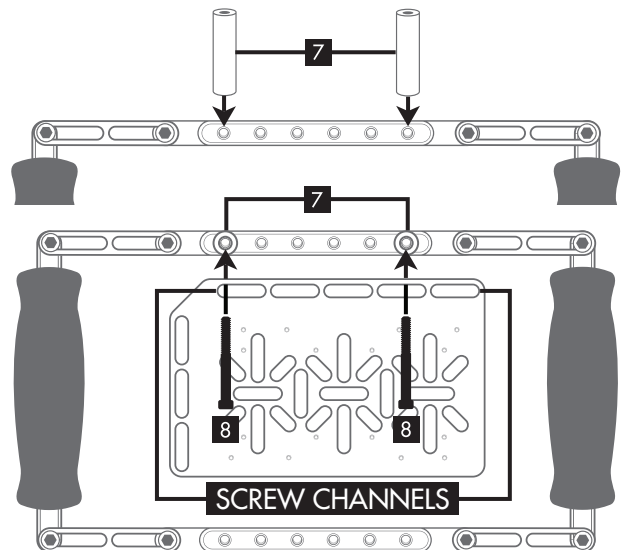
3. Select the two **HANDLES**, locate and align the **1/4-20 HOLES** to **SIDE BRACKETS** as shown below, select and tighten **1/4-20x1/2" SCREWS** with allen wrench



4. Select the two **OFFSET BRACKETS** and locate the correct **1/4-20 HOLES** on the **MAIN BRACKETS**
5. Locate and align **SCREW CHANNELS** on **OFFSET BRACKET** to **1/4-20 HOLES**, select and tighten **1/4-20x1/2" SCREWS** with allen wrench
6. Select **BATTERY PLATE**, the two **POSTS**, and **1/4-20x2" SCREWS**



7. Locate and align the **POSTS** to the correct **1/4-20 HOLES** on **MAIN BRACKET** as shown below
8. Align **SCREW CHANNELS** of **BATTERY PLATE** over **POSTS**, insert and tighten **1/4-20x2" SCREWS** to **MAIN BRACKET** with allen wrench



CONFIGURATION FOR ODYSSEY 7Q

